
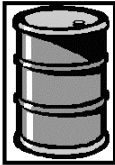




PHILIPS HEALTHCARE	Product Recycling Passport	
-------------------------------	-----------------------------------	--

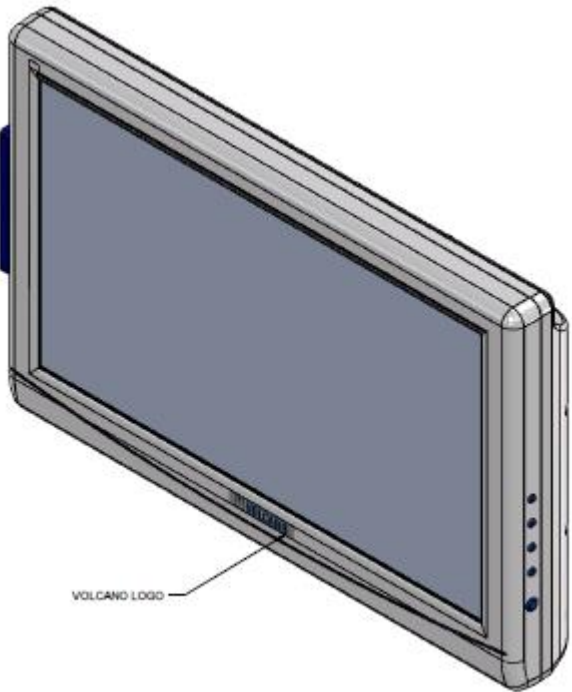
Product name	CORE FM System	
Identification code(s)	400-0100.11	
Total weight (in Kg)	4.3	
Producer/ Manufacturer	Name company:	Philips Volcano
	Address:	2870 Kilgore Road Rancho Cordova, CA
	Zip code:	95670
	Country:	USA

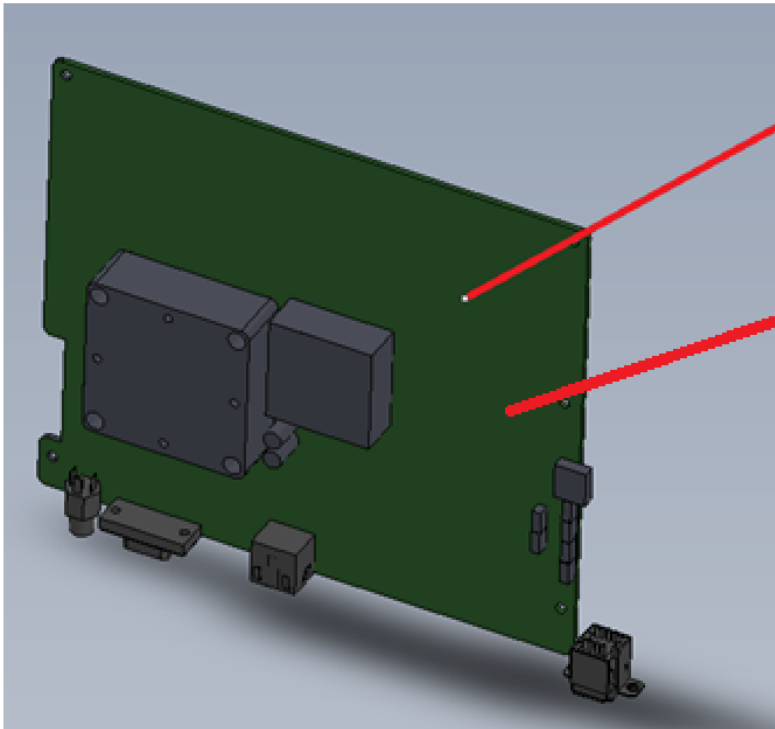
Recycle Info	Items:	Location
Special attention 	N/A	

	Items:	Location
 Fluids / Gases	N/A	

	Type:	Location
 Batteries To be Removed	CR2032 Button Cell Lithium Battery 3.0V	Motherboard

Hazardous  To be Removed	Substances:	Location
		may contain lead
	may contain hexavalent chromium	Screws, fasteners





Coin type motherboard
battery to be removed



Recycling Passport Revision History

Rev	Description	Date
A	CORE FM WEEE	4/7/16