
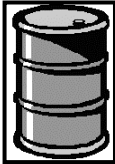




PHILIPS HEALTHCARE	Product Recycling Passport	
-------------------------------	-----------------------------------	--

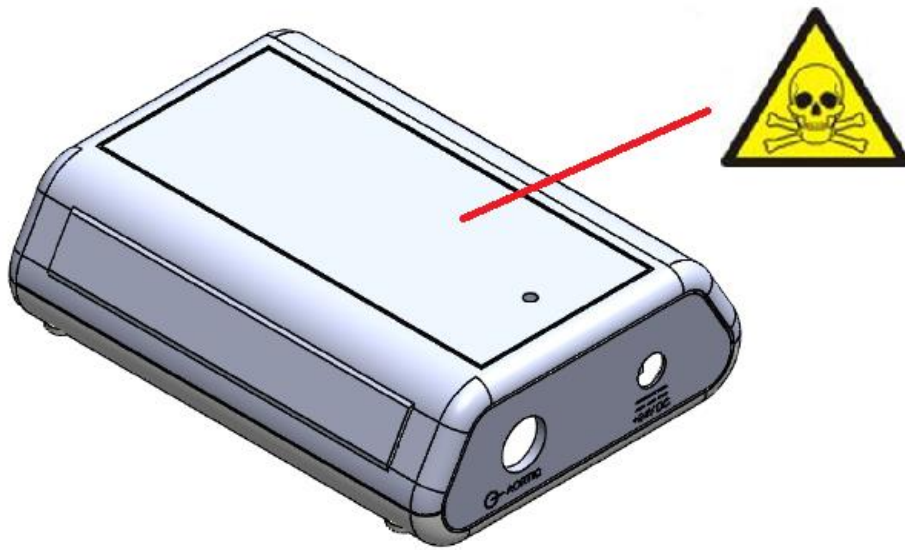
Product name	Volcano LoMap	
Identification code(s)	809485-001	
Total weight (in Kg)	2	
Producer/ Manufacturer	Name company:	Philips Volcano
	Address:	2870 Kilgore Road Rancho Cordova, CA
	Zip code:	95670
	Country:	USA

Recycle Info	Items:	Location
Special attention 	N/A	

 Fluids / Gases	Items:	Location
	N/A	

Batteries  To be Removed	Type:	Location
	N/A	

<p>Hazardous</p>  <p>To be Removed</p>	Substances:	Location
	may contain lead	Circuit board
	may contain hexavalent chromium	Screws, fasteners



Recycling Passport Revision History

Rev	Description	Date
A	LoMAP System WEEE Passport	4/7/16